



## REVOLUTION® SERIES

CIRCUMFERENTIAL PISTON PRODUCT LINE & ROTARY LOBE PRODUCT LINE



## FEATURES & BENEFITS

### CLEANABILITY

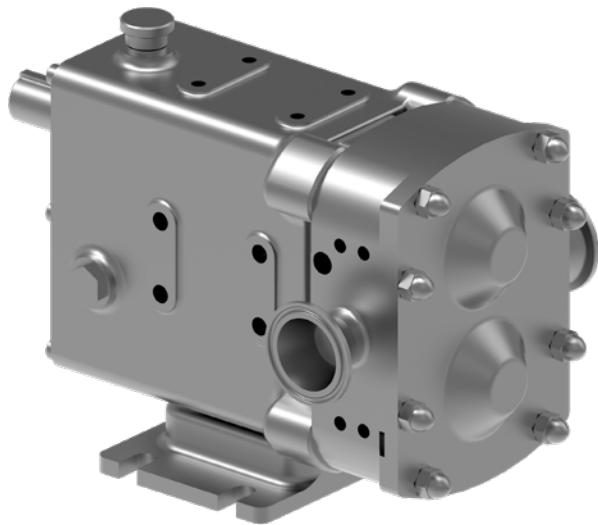
- Efficient CIP (Clean In Place) ability is standard for all Revolution pumps
- Self draining pump head from innovative cusps & cusp reliefs
- Innovative seal design with no dead zones & a dynamic leak path
- No dead zones on front cover

### EASE OF MAINTENANCE

- Fast, front loading seal changes while pump is still in line
- Front access shimming for setting rotor clearance significantly reduces maintenance time
- Convenient preventive maintenance parts kits available

### PERFORMANCE

- Improved volumetric efficiency in low & high viscosity applications
- Up to 15% better flow performance than competitors' CIP configuration with CPP version
- Gentle handling of solids & shear sensitive products
- Long-life durability from heavy duty shafts, bearings & helical gears
- Less overhung load



## PERFORMANCE

### CPP MODELS

Size	Model	Max Capacity		Displacement		Max Pressure		Max Speed	Standard Ports	
		GPM	m³/h	USG/rev.	l/rev.	PSI	BAR	RPM	In	mm
2	R0150X	11	2.6	0.014	0.055	305	21	800	1.5	38.1
2	R0180P	23	5.3	0.029	0.11	203	14	800	1.5	38.1
3	R0200X	34	8	0.04	0.16	305	21	800	1.5	38.1
3	R0300X	48	11	0.06	0.23	247	17	800	1.5	38.1
3	R0400X	62	14	0.08	0.29	203	14	800	2	50.8
4	R0450X	67	15	0.1	0.42	450	31	600	2	50.8
4	R0600P	92	21	0.2	0.58	305	21	600	2.5	63.5
4	R0800X	122	28	0.2	0.77	247	17	600	2.5	63.5
4	R1300X	159	36	0.3	1	203	14	600	3	76.2
5	R1800X, R1830X	231	53	0.4	1.46	450	31	600	3	76.2
5	R2200X, R2230X	313	71	0.5	1.98	305	21	600	4	101.6
5	R2600P, R2630P	399	91	0.7	2.52	203	14	600	4	101.6

### RECTANGULAR FLANGE MODELS

Model	Max Capacity		Displacement		Max Pressure		Max Speed	Inlet (WxL)		Outlet	
	GPM	m³/h	USG/rev.	l/rev.	PSI	BAR	RPM	In	mm	In	mm
0340	11	48	0.06	0.23	247	17	800	1.85 x 6.81	47 x 175	2	50.8
0640	21	92	0.2	0.58	305	21	600	2.36 x 8.90	60 x 226	2.5	63.5
1340	36	159	0.3	1	203	14	600	3.19 x 9.29	81 x 236	3	76.2
2240	71	313	0.5	1.98	305	21	600	4.06 x 11.22	103 x 285	4	101.6



**CAPACITY**  
to 399 GPM  
(91 m³/h)



**PRESSURE**  
to 450 PSI  
(31 BAR)



**VISCOSITY**  
to 910,000 SSU  
(200,000 cSt)



**TEMPERATURE**  
to +300°F  
(+150°C)

## RLP MODELS

Size	Model	Max Capacity		Displacement		Max Pressure		Max Speed	Standard Ports	
		GPM	m <sup>3</sup> /h	USG/rev.	l/rev.	PSI	BAR	RPM	In	mm
2	R0150X	16	3.6	0.016	0.061	218	15	1000	1.5	38.1
2	R0160L	22	4.9	0.021	0.081	145	10	1000	1.5	38.1
2	R0180L	29	6.6	0.029	0.11	102	7	1000	1.5	38.1
3	R0200X	47	11	0.05	0.18	203	14	1000	1.5	38.1
3	R0300X	66	15	0.07	0.25	131	9	1000	1.5	38.1
3	R0400X	86	20	0.09	0.33	102	7	1000	2	50.8
4	R0450X	95	22	0.1	0.45	218	15	800	2	50.8
4	R0800X	173	39	0.2	0.82	131	9	800	2.5	63.5
4	R1300X	226	51	0.3	1.07	102	7	800	3	76.2
5	R1800X	246	56	0.4	1.55	218	15	600	3	76.2
5	R2200X	333	76	0.6	2.1	116	8	600	4	101.6

## PORTING

- Hygienic port options:  
Tri-clamp, DIN 11864, DIN 11851 Male, SMS Male
- Industrial port options:  
ASA/ANSI 150 lb. or 300 lb. RF, DIN 2633, BSP Male, NPT Male
- Rectangular flange/hopper inlet available on select sizes
- Pumps may be fitted with front cover and rotor case jackets when required

## SEALING

- Single mechanical
- Double mechanical w/ flush
- Single O-ring running on a replaceable sleeve
- Double O-ring w/ flush running on a replaceable sleeve
- Complete range of material options

## ROTORS

- Non-galling WFT 808® nickel alloy standard for CPP
- 316L standard for RLP and optional for CPP
- Optional clearances:  
front face, hot, high temperature/high viscosity (chocolate)

## GEAR BOX

- Powder coated cast iron standard
- Stainless steel optional
- Oil lubrication standard, grease optional

## SURFACE FINISH

- Standard 32 RA internal finish
- Optional mechanical internal finishes: 24 RA or 16 RA

## COMPLETE PUMP DRIVE UNITS

- We make it simple to select your pump, drive and base configuration for ordering a complete unit
- Close coupled and long coupled designs available
- Tubular, flat plate and formed metal base designs available

## TYPICAL APPLICATIONS

- Pharmaceutical
- Beverage
- Chemical
- Personal Care
- Dairy
- Foods
- Confectionary

## BENEFITS OF MAINTENANCE KITS

- Everything you need in one place
- Reduce frequency of repairs
- Increase service life
- Increase uptime
- Save time & money
- Kits include exploded diagram & parts list



# VIKING PUMP®

**VIKING PUMP, INC.**  
A Unit of IDEX Corporation  
406 State Street  
Cedar Falls, Iowa 50613 U.S.A.  
[vikingpump.com](http://vikingpump.com)

**CONTACT YOUR STOCKING DISTRIBUTOR TODAY**

GLOBAL LEADER IN POSITIVE DISPLACEMENT PUMPING SOLUTIONS: Cedar Falls, Iowa, USA | Windsor, Ontario, Canada | Shannon, Ireland | Eastbourne, United Kingdom

**IDEX**

© Copyright 2022 Viking Pump, Inc. All Rights Reserved. Rev0322 | Form No. 1726